

INSTALLATION INSTRUCTIONS

One-Piece Toilet

MODEL: CHÂTEAU® - SM-1T803

To ensure this product is installed properly, please read these instructions carefully before you begin. (Certain Installation may require professional help.)

CAUTION: PRODUCT IS FRAGILE. TO AVOID BREAKAGE AND POSSIBLE INJURY HANDLE WITH CARE!

NOTE: Pictures may not exactly define contour of china and components.

RECOMMENDED TOOLS AND MATERIALS

Putty Knife	Regular Screwdriver	Adjustable Wrench	Sealant	Tape Measure
Hacksaw	Wax Ring/Gasket	Flexible Supply Tube		Carpenters Level

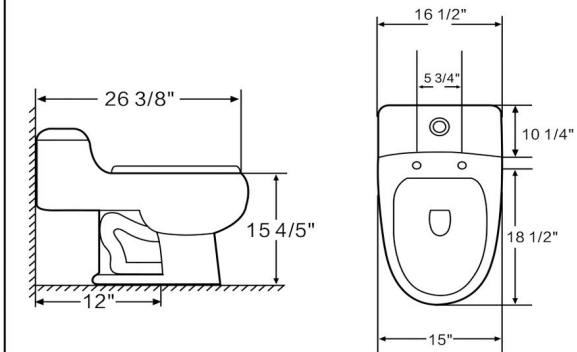
1 REMOVE OLD TOILET

- Close toilet supply valve and flush tank completely. Towel or sponge remaining water from tank and bowl.
- Disconnect and remove supply line. NOTE: *If replacing valve, first shut off main water supply!*
- Remove old mounting hardware, remove toilet and plug floor waste opening to prevent escaping sewer gases.
- Remove closet bolts from flange and clean away old wax, putty, etc. from base area.

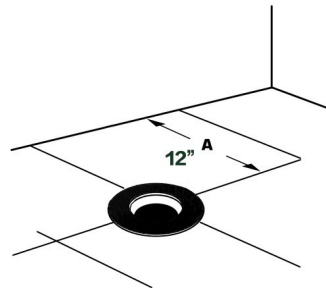
NOTE: Mounting surface must be clean and level **before** new toilet is installed!

2 ROUGHING-IN DIMENSIONS:

NOTE: Distance from wall to closet flange centerline must be as listed below:



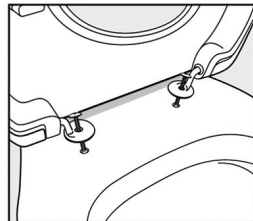
3



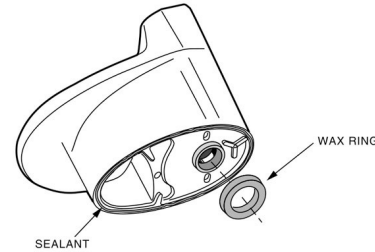
S A

4 INSTALL TOILET SEAT

- Screw one washer and one nut onto each of the two metal hinges provided. From the top of the bowl, place each nut and washer through one of the seat holes.
- With the seat in the upright position, insert the two metal hinges into the seat.
- Holding the nuts from underneath the bowl, screw the hinges tight against the bowl.



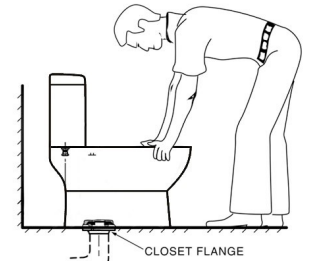
5



INSTALL WAX SEAL

Invert toilet on floor (cushion to prevent damage), and install wax ring evenly around waste flange (horn), with tapered end of ring facing toilet. Apply a thin bead of sealant around toilet base.

6



INSTALL TOILET

- Position toilet squarely to wall and, with a rocking motion, press bowl down fully on wax ring.
- Adhere bolt covers to toilet.
- Smooth off the bead of sealant around base. Remove excess sealant.

Share your Toilet on Instagram



@swissmadison

#Toilet

#BathFixtures

SwissMadison®

www.swissmadison.com